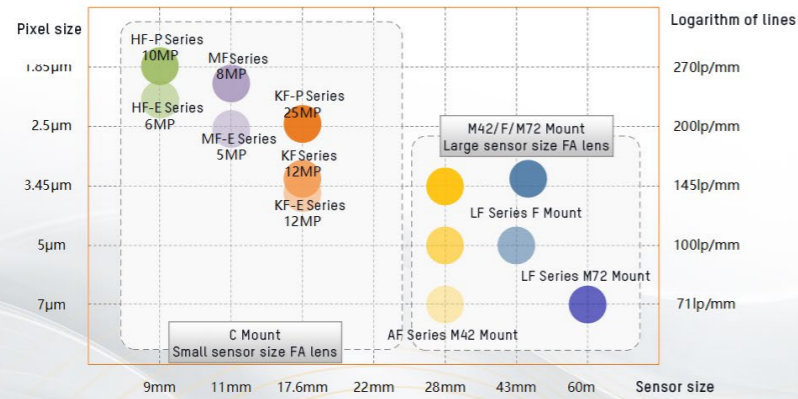
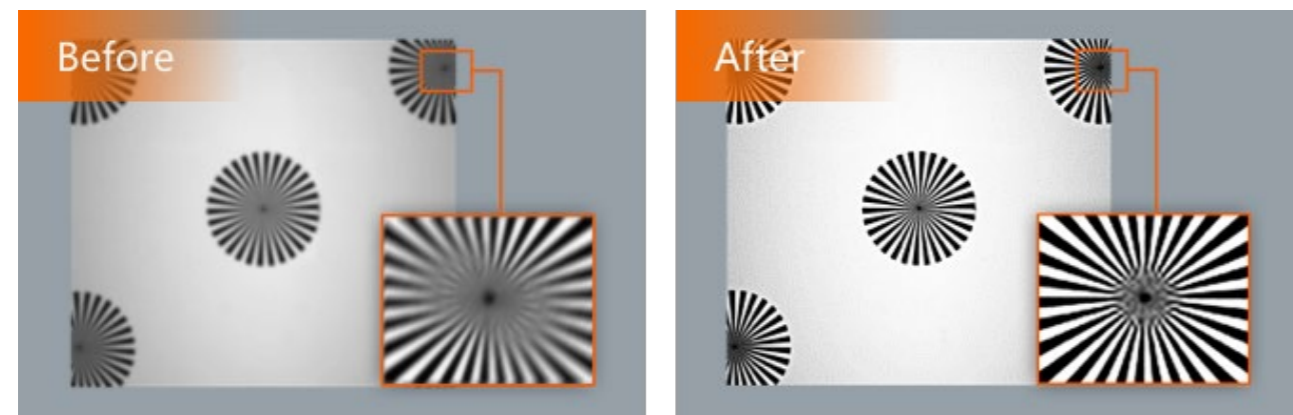


Lens

Self-developed FA series lens especially for vision application characteristics, has the design concept of high performance and low cost. The product features high definition, better image center-edge definition consistency, and higher relative illumination to provide better choices.



Wide sensor size coverage



High resolution with great imaging consistency

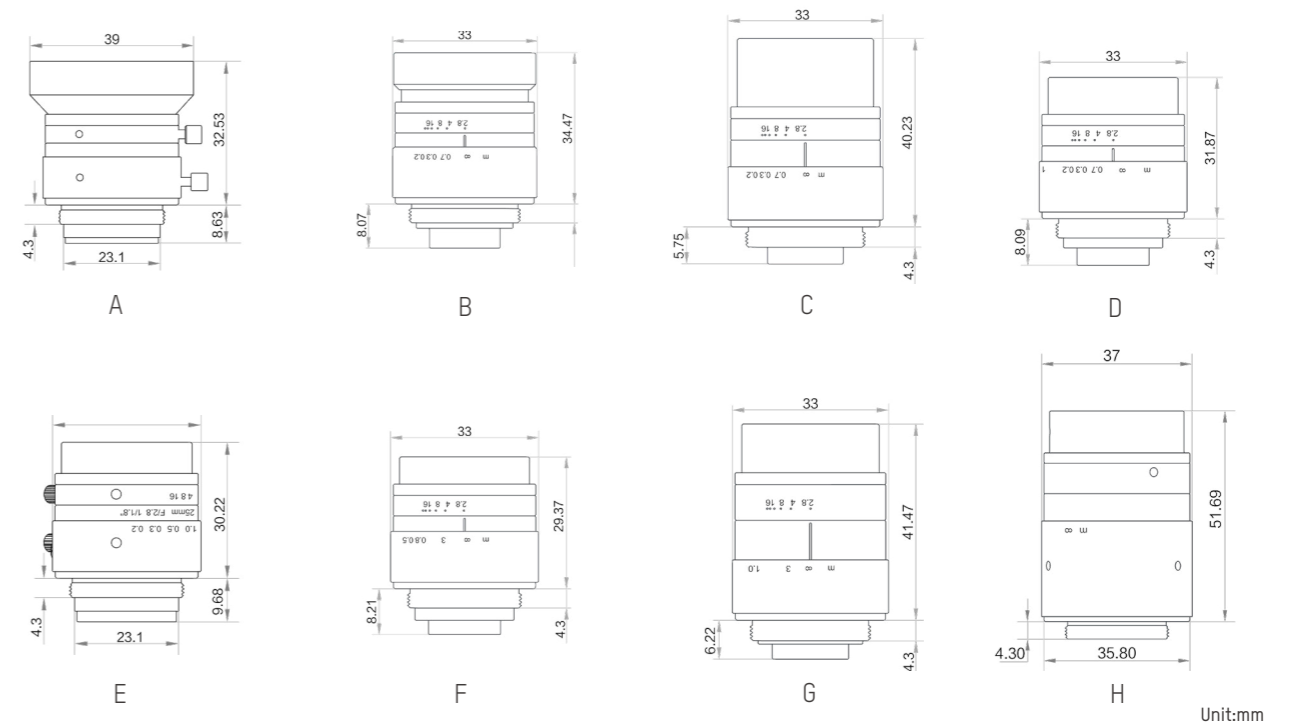
HF-E Series (1/1.8" 6MP)

RoHS

Specifications

Model	Focal Length	F No.	Distortion	Field of View			M.O.D (m)	Filter Thread	Mount	Label
				D	H	V				
MVL-HF0628M-6MPE	6 mm	F2.8-F16	-0.103%	73.49°	63.11°	44.59°	0.1	M37.5 × P0.5	C	A
MVL-HF0828M-6MPE	8 mm	F2.8-F16	0.049%	58.50°	49.46°	34.19°	0.1	M30.5 × P0.5	C	B
MVL-HF1228M-6MPE	12 mm	F2.8-F16	-0.005%	40.94°	34.14°	23.17°	0.1	M27 × P0.5	C	C
MVL-HF1628M-6MPE	16 mm	F2.8-F16	-0.018%	31.28°	25.94°	17.48°	0.1	M27 × P0.5	C	D
MVL-HF2528M-6MPE	25 mm	F2.8-F16	-0.028%	20.32°	16.77°	11.24°	0.2	M27 × P0.5	C	E
MVL-HF3028M-6MPE	30 mm	F2.8-F16	-0.031%	16.99°	14.01°	9.38°	0.2	M27 × P0.5	C	F
MVL-HF4028M-6MPE	40 mm	F2.8-F16	-0.024%	12.78°	10.53°	7.04°	0.25	M27 × P0.5	C	G
MVL-HF5028M-6MPE	50 mm	F2.8-F16	0.030%	9.72°	7.84°	5.24°	0.25	M30.5 × 0.5	C	H

Dimension



Unit:mm

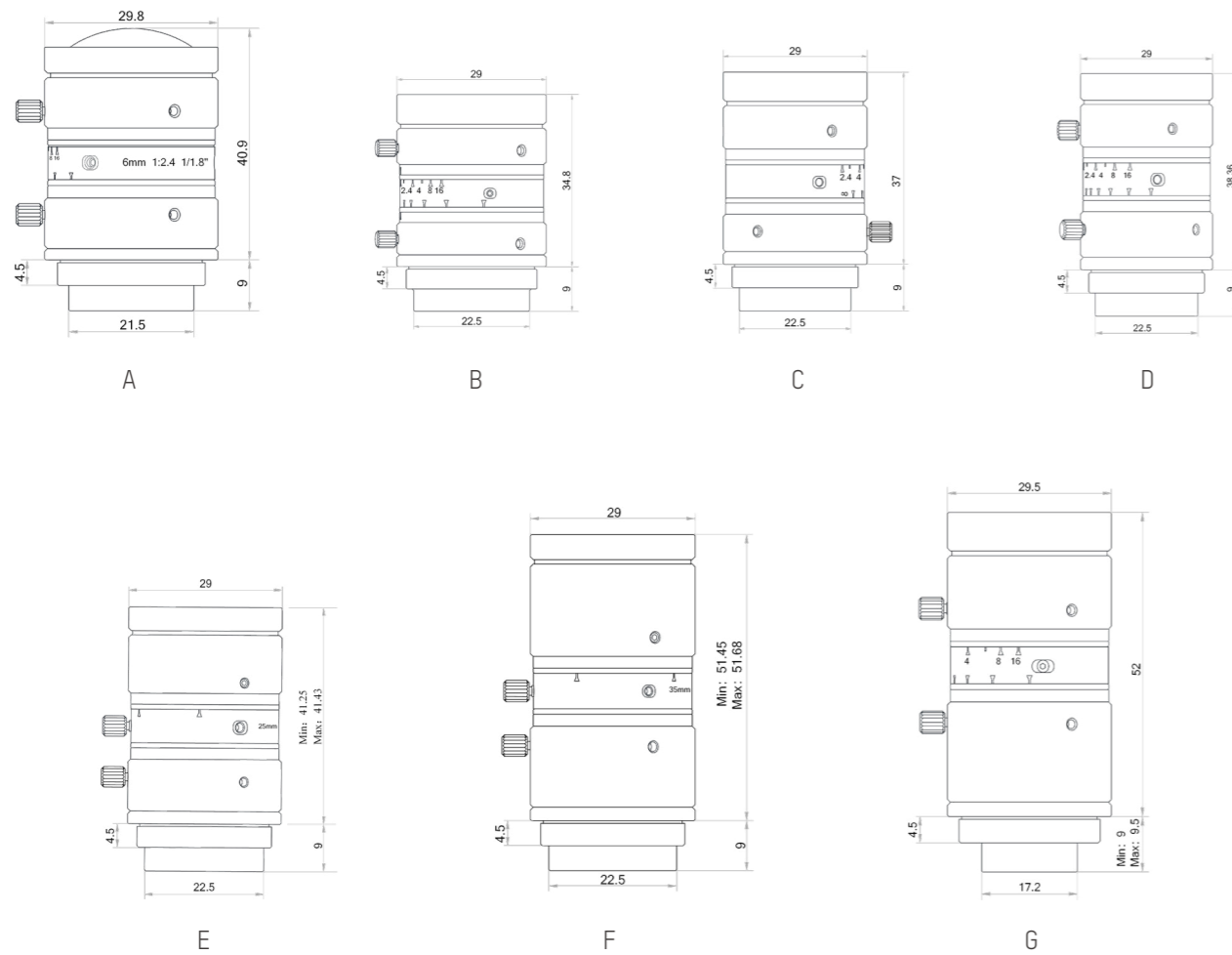
HF-P Series (1/1.8" 10MP)

RoHS

Specifications

Model	Focal Length	F No.	Distortion	Field of View			M.O.D (m)	Filter Thread	Mount	Label
				D	H	V				
MVL-HF0624M-10MP	6 mm	F2.4-F16	0.37%	72.96°	62.46°	44.05°	0.1	/	C	A
MVL-HF0824M-10MP	8 mm	F2.4-F16	-0.67%	58.81°	49.56°	34.04°	0.1	M27 × 0.5	C	B
MVL-HF1224M-10MP	12 mm	F2.4-F16	0.15%	40.2°	33.6°	22.9°	0.1	M27 × 0.5	C	C
MVL-HF1624M-10MP	16 mm	F2.4-F16	-0.02%	30.17°	25.07°	16.92°	0.1	M27 × 0.5	C	D
MVL-HF2524M-10MP	25 mm	F2.4-F16	-0.01%	19.67°	16.19°	10.85°	0.1	M27 × 0.5	C	E
MVL-HF3524M-10MP	35 mm	F2.4-F16	0.01%	13.47°	11.03°	7.34°	0.15	M27 × 0.5	C	F
MVL-HF5024M-10MP	50 mm	F2.4-F16	0.03%	9.10°	7.48°	5.00°	0.3	M27 × 0.5	C	G

Dimension



Unit:mm

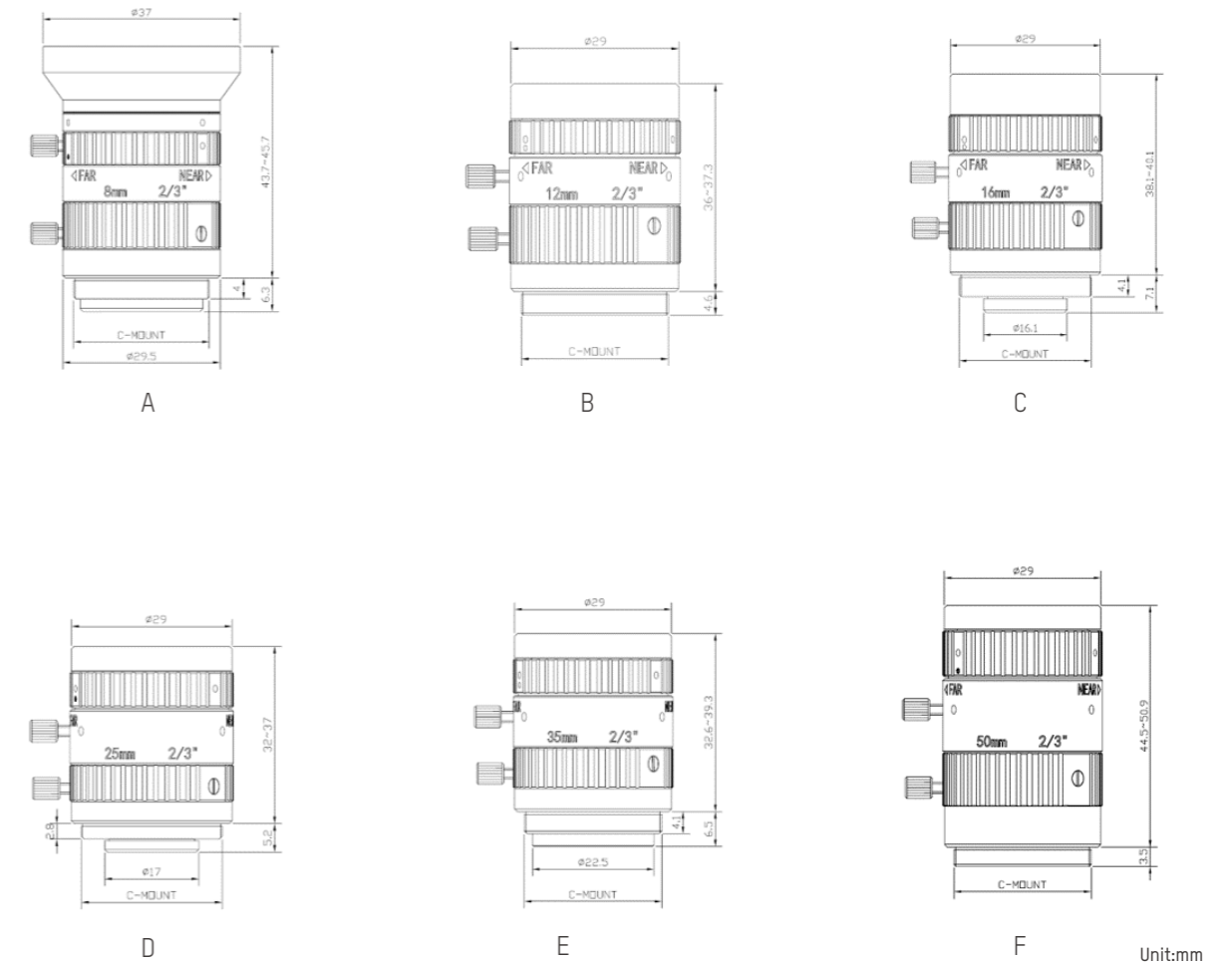
MF-E Series (2/3" 5MP)

RoHS

Specifications

Model	Focal Length	F No.	Distortion	Field of View			M.O.D (m)	Filter Thread	Mount	Label
				D	H	V				
MVL-MF0824M-5MPE	8 mm	F2.4-F16	2.03%	69.46°	55.57°	41.68°	0.10m	M35.5×0.5	C-Mount	A
MVL-MF1224M-5MPE	12 mm	F2.4-F16	-0.16%	49.67°	39.09°	33.08°	0.25m	M27×0.5	C-Mount	B
MVL-MF1618M-5MPE	16 mm	F1.8-F16	0.98%	38.98°	30.75°	25.08°	0.20m	M27×0.5	C-Mount	C
MVL-MF2518M-5MPE	25 mm	F1.8-F16	0.77%	24.26°	18.78°	15.63°	0.20m	M27×0.5	C-Mount	D
MVL-MF3518M-5MPE	35 mm	F1.8-F16	0.02%	17.46°	13.43°	11.26°	0.25m	M27×0.5	C-Mount	E
MVL-MF5028M-5MPE	50 mm	F2.8-F16	0.08%	12.83°	9.86°	8.26°	0.40m	M27×0.5	C-Mount	F

Dimension



Unit:mm

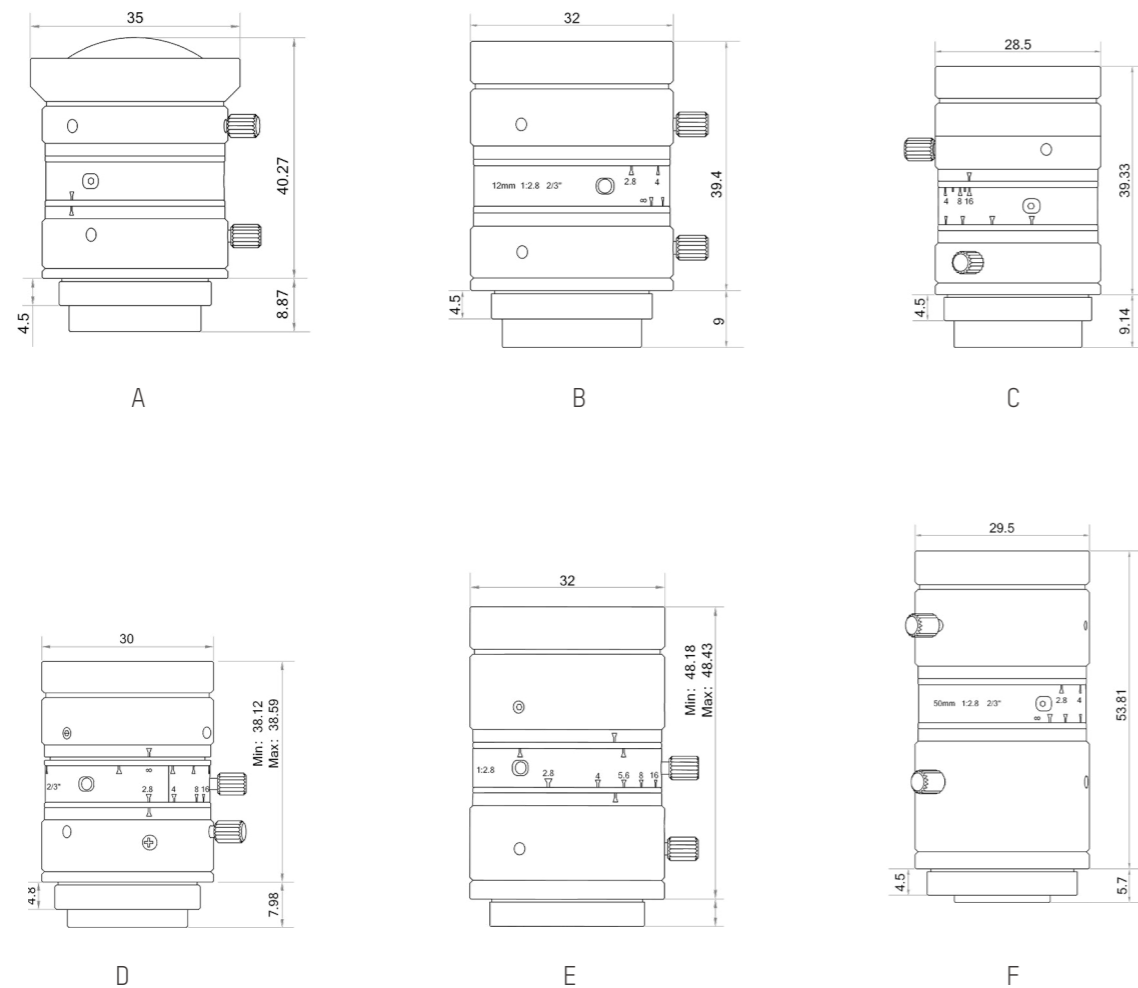
MF Series (2/3" 8MP)

RoHS

Specifications

Model	Focal Length	F No.	Distortion	Field of View			M.O.D (m)	Filter Thread	Mount	Label
				D	H	V				
MVL-MF0828M-8MP	8 mm	F2.8-F16	0.28%	68.46°	54.97°	47.06°	0.1	/	C	A
MVL-MF1228M-8MP	12 mm	F2.8-F16	0.28%	48.57°	37.88°	32.04°	0.1	M30.5 × 0.5	C	B
MVL-MF1628M-8MP	16 mm	F2.8-F16	0.33%	37.39°	28.9°	24.33°	0.1	M27 × 0.5	C	C
MVL-MF2528M-8MP	25 mm	F2.8-F16	0.01%	23.23°	17.78°	14.91°	0.1	M27 × 0.5	C	D
MVL-MF3528M-8MP	35 mm	F2.8-F16	0.02%	15.26°	11.65°	9.76°	0.15	M30.5 × 0.5	C	E
MVL-MF5028M-8MP	50 mm	F2.8-F16	0.01%	11.67°	8.81°	7.38°	0.4	M27 × 0.5	C	F

Dimension



Unit:mm

KF-E Series (1.1" 12MP)

RoHS

Specifications

Model	Focal Length	F No.	Distortion	Field of View			M.O.D (m)	Filter Thread	Mount	Label
				D	H	V				
MVL-KF0618M-12MPE	6 mm	F1.8-F16	2.50%	118.2°	104.9°	86.2°	0.1	/	C	A
MVL-KF0814M-12MPE	8 mm	F1.4-F16	5.50%	98.4°	84.8°	68°	0.1	M58 × 0.75	C	B
MVL-KF1228M-12MPE	12 mm	F2.8-F22	1.50%	66.7°	57°	45°	0.1	/	C	C
MVL-KF1628M-12MPE	16 mm	F2.8-F16	0.15%	55.6°	45.8°	35.3°	0.1	M43 × 0.75	C	D
MVL-KF2528M-12MPE	25 mm	F2.8-F22	0.10%	37.6°	30.4°	23°	0.1	M35.5 × 0.5	C	E
MVL-KF3528M-12MPE	35 mm	F2.8-F22	0.02%	28.3°	22.6°	17°	0.2	M35.5 × 0.5	C	F
MVL-KF5028M-12MPE	50 mm	F2.8-F22	0.04%	19.9°	15.9°	11.9°	0.3	M35.5 × 0.5	C	G

Dimension



Unit:mm

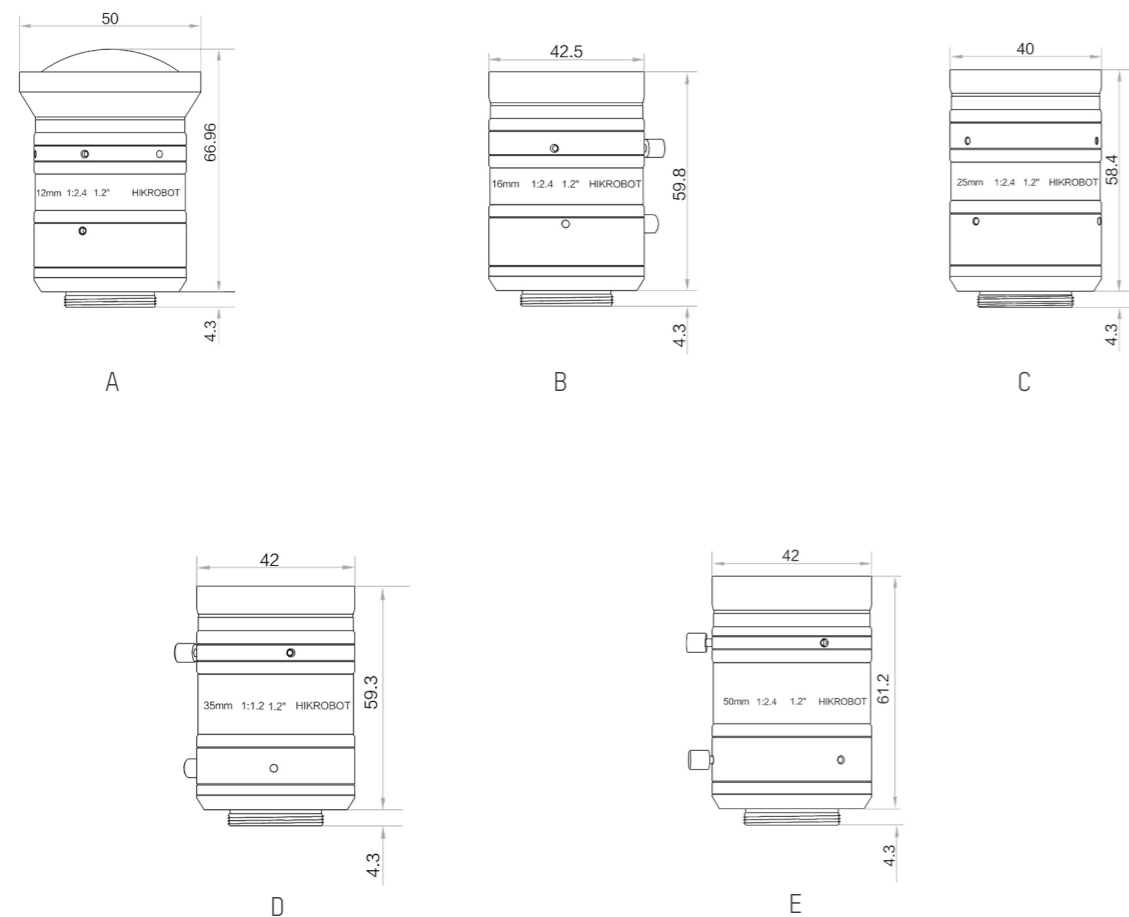
■ KF-P Series (1.2" 25MP)

RoHS

Specifications

Model	Focal Length	F No.	Distortion	Field of View			M.O.D (m)	Filter Thread	Mount	Label
				D	H	V				
MVL-KF1224M-25MP	12 mm	F2.4-F16	0.39%	76.37°	62.32°	55.34°	0.1	/	C	A
MVL-KF1624M-25MP	16 mm	F2.4-F16	0.07%	61.61°	48.82°	42.89°	0.1	M40.5 × 0.5	C	B
MVL-KF2524M-25MP	25 mm	F2.4-F16	-0.04%	40.80°	31.42°	27.34°	0.15	M37 × 0.5	C	C
MVL-KF3524M-25MP	35 mm	F2.4-F16	0.02%	29.48°	22.51°	19.54°	0.15	M40.5 × 0.5	C	D
MVL-KF5024M-25MP	50 mm	F2.4-F16	0.01%	20.60°	15.66°	13.57°	0.25	M40.5 × 0.5	C	E

Dimension



Unit:mm

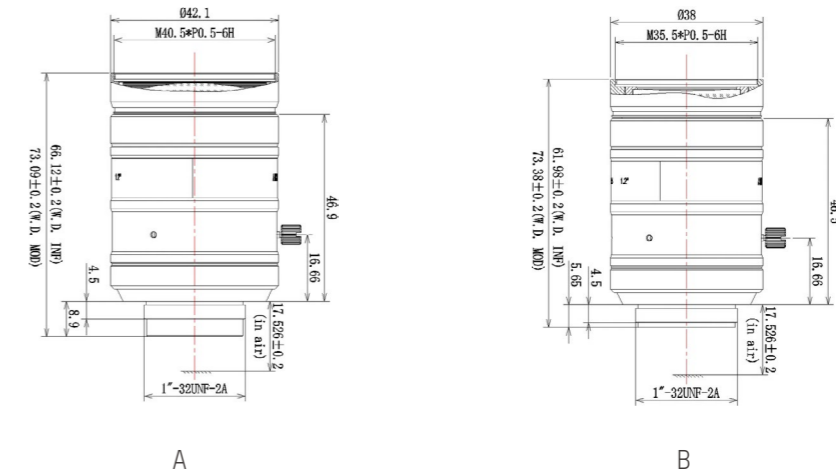
■ KF-P Anti Vibration Series (1.2" 25MP)

RoHS

Specifications

Model	Focal Length	F No.	Distortion	Field of View			M.O.D (m)	Filter Thread	Mount	Label
				D	H	V				
MVL-KF1640-25MP *	16 mm	F4	0.04%	61.7°	48.77°	42.83°	0.08	M40.5 × 0.5	C	A
MVL-KF2540-25MP *	25 mm	F4	-0.08%	41.6°	32.04°	27.88°	0.08	M35.5 × 0.5	C	B

Dimension



Unit:mm

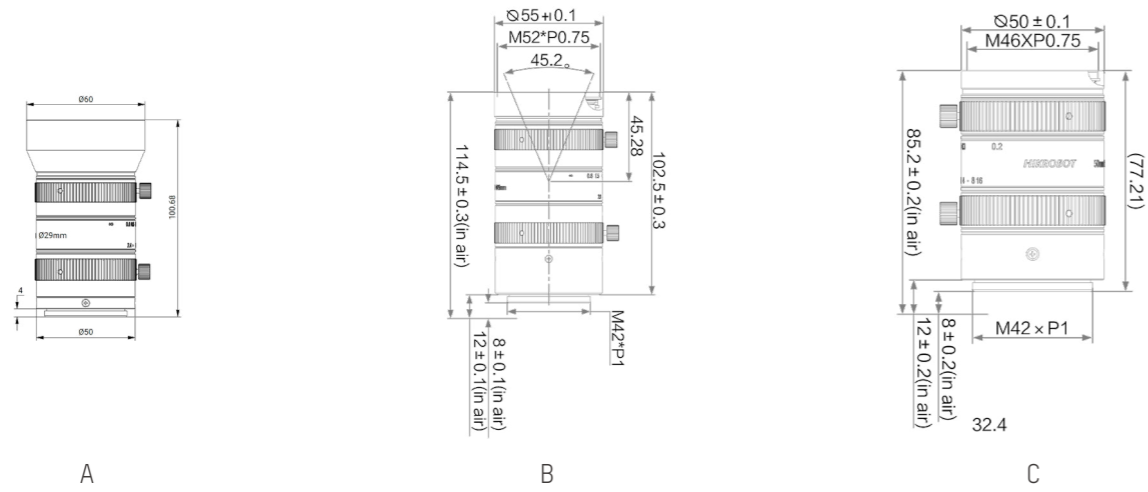
AF Series (Half Frame Lens)

RoHS

Specifications

Model	Focal Length	F No.	Distortion	Field of View	Magnification Range	Filter Thread	Mount	Label
MVL-AF2524M-M42 *	25 mm	F2.4-F16	-0.34%	H(4K7 μ m, 28.7mm):56°	0.143x-0.001x	M58 \times 0.75	M42 \times P1	A
MVL-AF3528M-M42A *	35 mm	F2.8-F16	-0.16%	H(4K7 μ m, 28.7mm):42°	0.164x-0.001x	M52 \times 0.75	M42 \times P1	B
MVL-AF5028M-M42A *	50 mm	F2.8-F16	0.05%	H(4K7 μ m, 28.7mm):31°	0.267-0.001x	M46 \times 0.75	M42 \times P1	C

Dimension



Unit:mm

LF Series (Large Image Circle Lens)

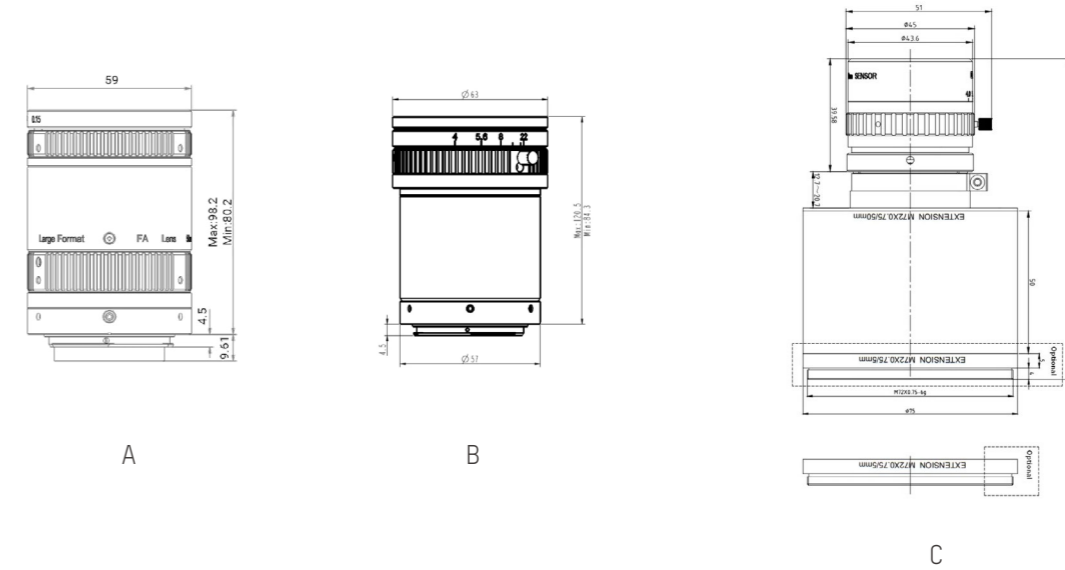
RoHS

Specifications

Model	Focal Length	F No.	Distortion	Field of View	Magnification Range	Filter Thread	Mount	Label
MVL-LF5040M-F	50 mm	F4.0-F22	0.41%	H(8K7 μ m, 57.4mm): 52.8°	0.33x-0.01x	M52 \times 0.75	F	A
MVL-LF8040M-F	80 mm	F4.0-F22	0.12%	H(8K7 μ m, 57.4mm): 31.6°	0.4x-0.01x	M52 \times 0.75	F	B
MVL-LF8040M-021V-M72 *	80 mm	F4.0-F22	-0.11%	H(8K7 μ m, 57.4mm): 33°	0.31x-0.12x	M39 \times 0.5	M72 \times P0.75	C

Notice: * will be released soon
Horizontal FOV: Calculated with a line scan camera (4K 7 μ m, chip horizontal size: 28.7mm)

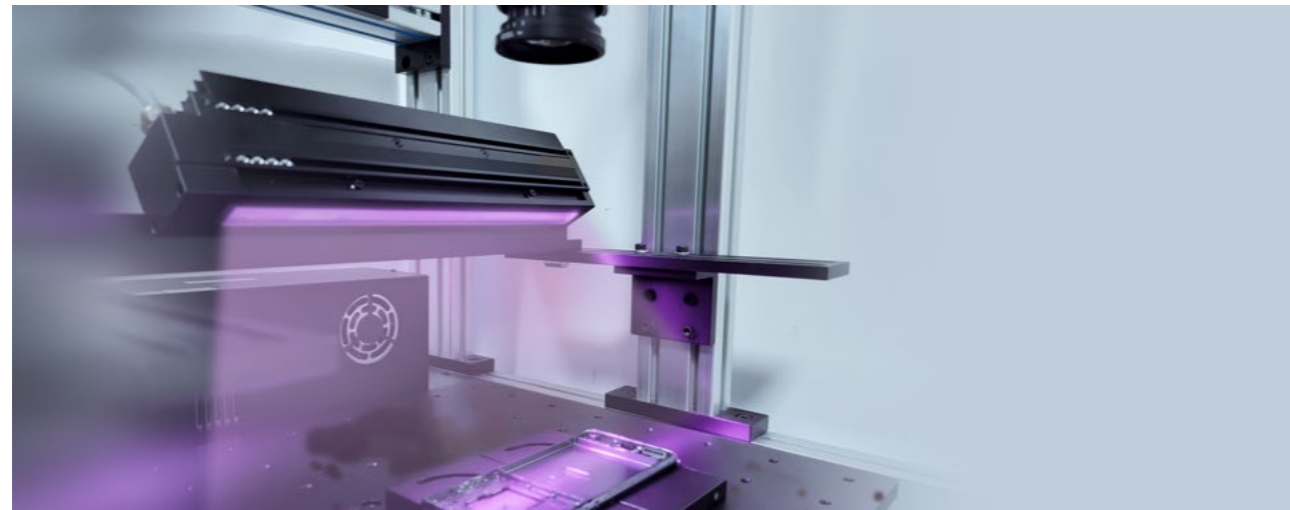
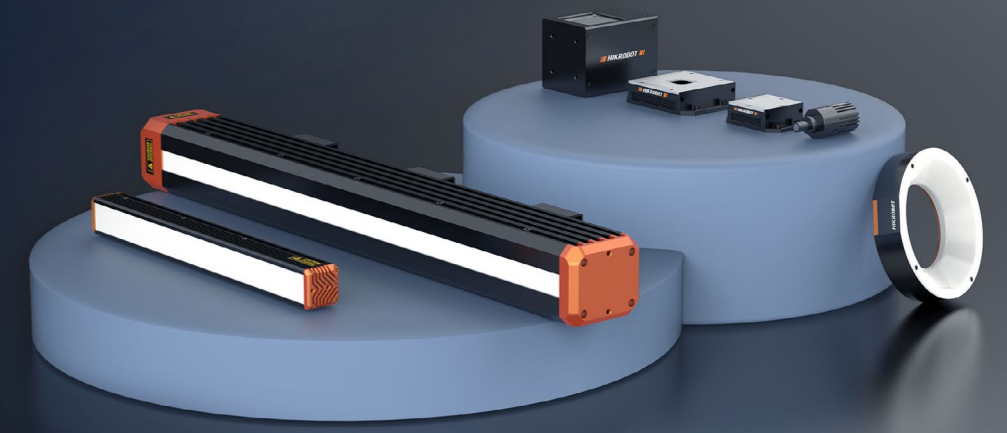
Dimension



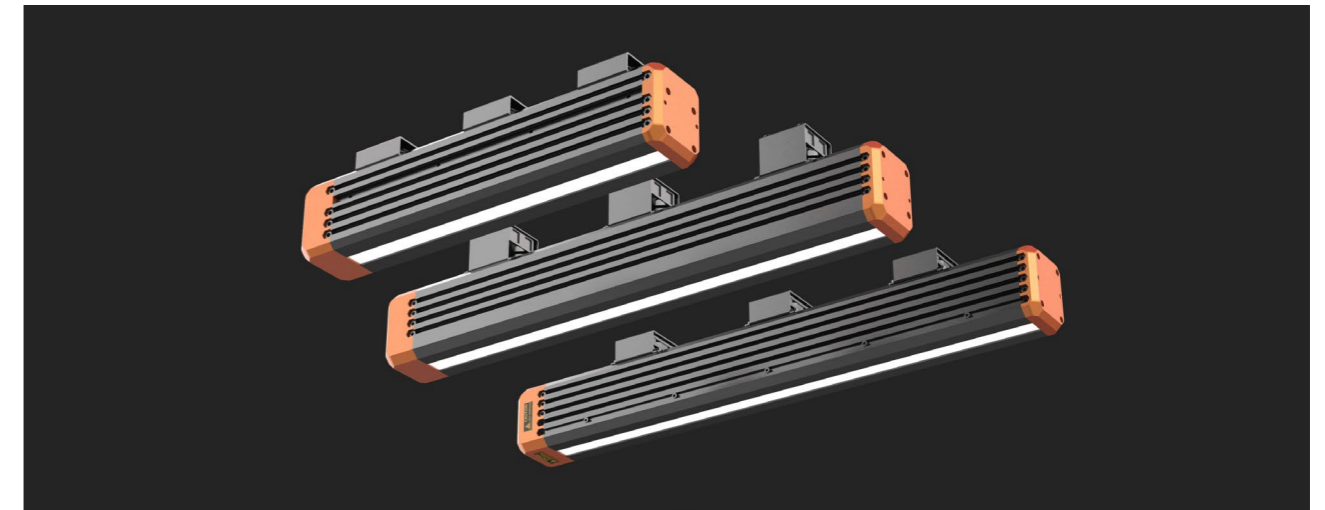
Unit:mm

Lighting

Hikrobot light source, covering ring-type, bar-type, flat-type, dot-type, line-scan-type, coaxial-type and other series., covering ring light source, strip light source series and line light source series. Designed with new product family style, is efficient and stable, can meet the needs of most conventional visual lighting applications.



Higher Illumination Brightness, Better Optical Performance



Multi-size design, strong adaptability

Ring-Type Lighting

Standard Ring-Type Lighting

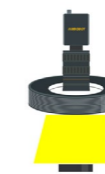
MV-LRDS-H standard ring-type lighting, provide various sizes, irradiation angles specification and model, built in high-quality LED, while ensuring lighting concentration, improve inside dissipation design, ensure that the lighting works stably and efficiently.



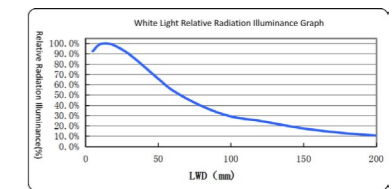
Product



Lighting Signal



White Light Relative Radiation Illuminance Graph

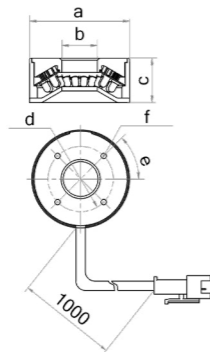


Specifications

Model	Outer dimensions	Bore dimensions	Thickness	Mounting hole spacing	Mounting hole offset angle	Mounting hole size	Irradiation angle	LED rows	Power consumption	Best working distance	Connector type
MV-LRDS-H-45-60-W	Φ45 mm	Φ16 mm	20 mm	Ø30	45°	4-M3	60°	2	2.5 W	40~70 mm	SMR-03V-B
MV-LRDS-H-45-90-W	Φ45 mm	Φ15 mm	19 mm	Ø30	45°	4-M3	90°	2	2.1 W	80~90 mm	SMR-03V-B
MV-LRDS-H-55-60-W	Φ55 mm	Φ25 mm	20 mm	Ø40	45°	4-M3	60°	2	2.9 W	40~70 mm	SMR-03V-B
MV-LRDS-H-55-90-W	Φ55 mm	Φ23 mm	19 mm	Ø40	45°	4-M3	90°	2	3 W	80~90 mm	SMR-03V-B
MV-LRDS-H-65-30-W	Φ65 mm	Φ30 mm	21 mm	Ø38	45°	4-M3	30°	2	3.8 W	20~30 mm	SMR-03V-B
MV-LRDS-H-65-60-W	Φ65 mm	Φ30 mm	20 mm	Ø50	45°	4-M3	60°	2	3.2 W	60~70 mm	SMR-03V-B
MV-LRDS-H-65-90-W	Φ65 mm	Φ30 mm	19 mm	Ø50	45°	4-M3	90°	2	3.8 W	90~100 mm	SMR-03V-B

Model	Outer dimensions	Bore dimensions	Thickness	Mounting hole spacing	Mounting hole offset angle	Mounting hole size	Irradiation angle	LED rows	Power consumption	Best working distance	Connector type
MV-LRDS-H-80-15-W	Φ80 mm	Φ45 mm	21 mm	Ø53	45°	4-M3	15°	2	5.1 W	20-30 mm	SMR-03V-B
MV-LRDS-H-80-30-W	Φ80 mm	Φ45 mm	21 mm	Ø53	45°	4-M3	30°	2	5.5 W	20-30 mm	SMR-03V-B
MV-LRDS-H-80-60-W	Φ80 mm	Φ40 mm	20 mm	Ø65	45°	4-M3	60°	3	6.5 W	60-70 mm	SMR-03V-B
MV-LRDS-H-80-90-W	Φ80 mm	Φ35 mm	20 mm	Ø65	45°	4-M3	90°	3	7.2 W	100-110 mm	SMR-03V-B
MV-LRDS-H-95-00-W	Φ95 mm	Φ60 mm	17 mm	Ø75	45°	4-M3	0°	1	3.4 W	0-10 mm	SMR-03V-B
MV-LRDS-H-95-30-W	Φ95 mm	Φ60 mm	21 mm	Ø68	45°	4-M3	30°	2	6.8 W	20-40 mm	SMR-03V-B
MV-LRDS-H-95-60-W	Φ95 mm	Φ45 mm	21 mm	Ø75	45°	4-M3	60°	4	10.4 W	60-100 mm	SMR-03V-B
MV-LRDS-H-95-90-W	Φ95 mm	Φ45 mm	20 mm	Ø75	45°	4-M3	90°	4	11.4 W	90-120 mm	SMR-03V-B
MV-LRDS-H-105-00-W	Φ105 mm	Φ70 mm	15 mm	Ø80	45°	4-M3	0°	1	3.4 W	0-10 mm	SMR-03V-B
MV-LRDS-H-105-30-W	Φ105 mm	Φ62 mm	26 mm	Ø90	45°	4-M3	30°	3	10.6 W	20-40 mm	SMR-03V-B
MV-LRDS-H-105-60-W	Φ105 mm	Φ45 mm	25 mm	Ø85	45°	4-M3	60°	5	13 W	90-120 mm	SMR-03V-B
MV-LRDS-H-105-90-W	Φ105 mm	Φ43 mm	20 mm	Ø80	45°	4-M3	90°	5	14.4 W	90-120 mm	SMR-03V-B
MV-LRDS-H-120-00-W	Φ120 mm	Φ87 mm	15 mm	Ø90	45°	4-M3	0°	1	4.2 W	0-10 mm	SMR-03V-B
MV-LRDS-H-120-30-W	Φ120 mm	Φ74 mm	30 mm	Ø100	45°	4-M3	30°	3	12.2 W	20-40 mm	SMR-03V-B
MV-LRDS-H-120-45-W	Φ120 mm	Φ68 mm	27 mm	Ø100	45°	4-M3	45°	4	15.6 W	60-80 mm	SMR-03V-B
MV-LRDS-H-120-60-W	Φ120 mm	Φ60 mm	25 mm	Ø100	45°	4-M3	60°	5	15.8 W	90-110 mm	SMR-03V-B
MV-LRDS-H-120-75-W	Φ120 mm	Φ60 mm	21 mm	Ø100	45°	4-M3	75°	4	14.8 W	90-110 mm	SMR-03V-B
MV-LRDS-H-120-90-W	Φ120 mm	Φ60 mm	20 mm	Ø90	45°	4-M3	90°	4	14.8 W	90-120 mm	SMR-03V-B
MV-LRDS-H-140-15-W	Φ140 mm	Φ105 mm	25 mm	Ø115	45°	4-M3	15°	2	10.1 W	20-30 mm	SMR-03V-B
MV-LRDS-H-140-45-W	Φ140 mm	Φ90 mm	27 mm	Ø120	45°	4-M3	45°	4	19.4 W	60-80 mm	SMR-03V-B
MV-LRDS-H-140-90-W	Φ140 mm	Φ70 mm	20 mm	Ø120	45°	4-M3	90°	5	21.5 W	90-120 mm	SMR-03V-B
MV-LRDS-H-160-00-W	Φ160 mm	Φ120 mm	15 mm	Ø130	45°	4-M3	0°	1	5.9 W	0-10 mm	SMR-03V-B
MV-LRDS-H-160-30-W	Φ160 mm	Φ110 mm	30 mm	Ø140	45°	4-M3	30°	3	16.9 W	20-40 mm	SMR-03V-B
MV-LRDS-H-160-60-W	Φ160 mm	Φ95 mm	25 mm	Ø140	45°	4-M3	60°	5	22.7 W	70-90 mm	SMR-03V-B
MV-LRDS-H-160-90-W	Φ160 mm	Φ90 mm	20 mm	Ø110	45°	4-M3	90°	5	26.2 W	120-140 mm	SMR-03V-B
MV-LRDS-H-180-00-W	Φ180 mm	Φ140 mm	15 mm	Ø150	45°	4-M3	0°	1	13.6 W	0-10 mm	SMR-03V-B
MV-LRDS-H-180-60-W	Φ180 mm	Φ115 mm	25 mm	Ø160	45°	4-M3	60°	5	31.3 W	70-90 mm	SMR-03V-B
MV-LRDS-H-180-90-W	Φ180 mm	Φ100 mm	20 mm	Ø130	45°	4-M3	90°	6	35.5 W	140-160 mm	SMR-03V-B
MV-LRDS-H-200-00-W	Φ200 mm	Φ130 mm	15 mm	Ø170	60°	6-M3	0°	1	15.2 W	0-10 mm	SMR-03V-B
MV-LRDS-H-200-30-W	Φ200 mm	Φ150 mm	30 mm	Ø90	60°	6-M3	30°	3	22 W	20-40 mm	SMR-03V-B
MV-LRDS-H-200-90-W	Φ200 mm	Φ115 mm	20 mm	Ø150	60°	6-M3	90°	7	46 W	180-200 mm	SMR-03V-B
MV-LRDS-H-230-15-W	Φ230 mm	Φ180 mm	35 mm	Ø200	60°	6-M3	15°	4	35.5 W	20-30 mm	SMR-03V-B

Dimension



- a: Outer dimensions
- b: Bore dimensions
- c: Thickness
- d: Mounting hole spacing
- e: Mounting hole offset angle
- f: Mounting hole size

Unit:mm

Shadowless Ring-Type Lighting

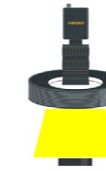


MV-LRSS-H shadowless ring-type lighting adopts special diffuse plate included, achieve uniform range irradiation with high degrees of freedom, chip LED with built-in large luminous angle, and provide a variety of sizes for selection.

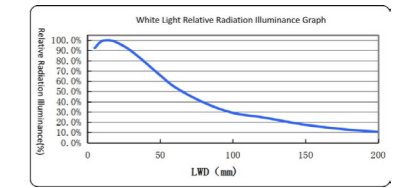
Product



Lighting Signal



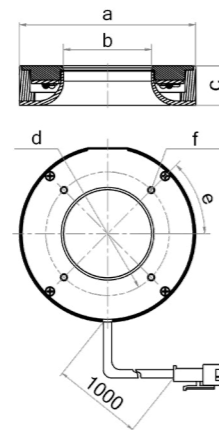
White Light Relative Radiation Illuminance Graph



Specifications

Model	Outer dimensions	Bore dimensions	Thickness	Mounting hole spacing	Mounting hole offset angle	Mounting hole size	LED rows	Power consumption	Best working distance	Connector type
MV-LRSS-H-80-W	Φ80 mm × 18 mm	Φ40 mm	18 mm	Ø56	45°	4-M3	1	8.7 W	30-50 mm	SMR-03V-B
MV-LRSS-H-120-W	Φ120 mm × 18 mm	Φ75 mm	18 mm	Ø90	45°	4-M3	1	13.1 W	30-60 mm	SMR-03V-B
MV-LRSS-H-160-W	Φ160 mm × 18 mm	Φ116 mm	18 mm	Ø130	45°	4-M3	1	17.4 W	30-80 mm	SMR-03V-B
MV-LRSS-H-200-W	Φ200 mm × 34 mm	Φ148 mm	34 mm	Ø160	60°	6-M3	1	21.8 W	30-80 mm	SMR-03V-B
MV-LRSS-H-250-W	Φ250 mm × 34 mm	Φ190 mm	34 mm	Ø210	60°	6-M3	1	26.2 W	60-120 mm	SMR-03V-B
MV-LRSS-H-300-W	Φ300 mm × 34 mm	Φ248 mm	34 mm	Ø260	60°	6-M3	1	30.5 W	60-120 mm	SMR-03V-B

Dimension



- a: Outer dimensions
- b: Bore dimensions
- c: Thickness
- d: Mounting hole spacing
- e: Mounting hole offset angle
- f: Mounting hole size

Unit:mm

■ Bar-Type Lighting

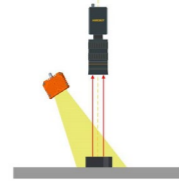


MV-LLDS-H series industrial bar-type lighting, high quality LED particles, stable lighting and high brightness. Various length sizes are available for selection, and the installation is flexible.

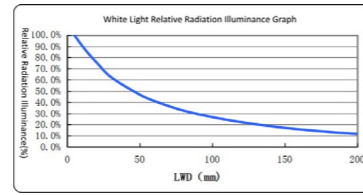
Product



Lighting Signal



White Light Relative Radiation Illuminance Graph

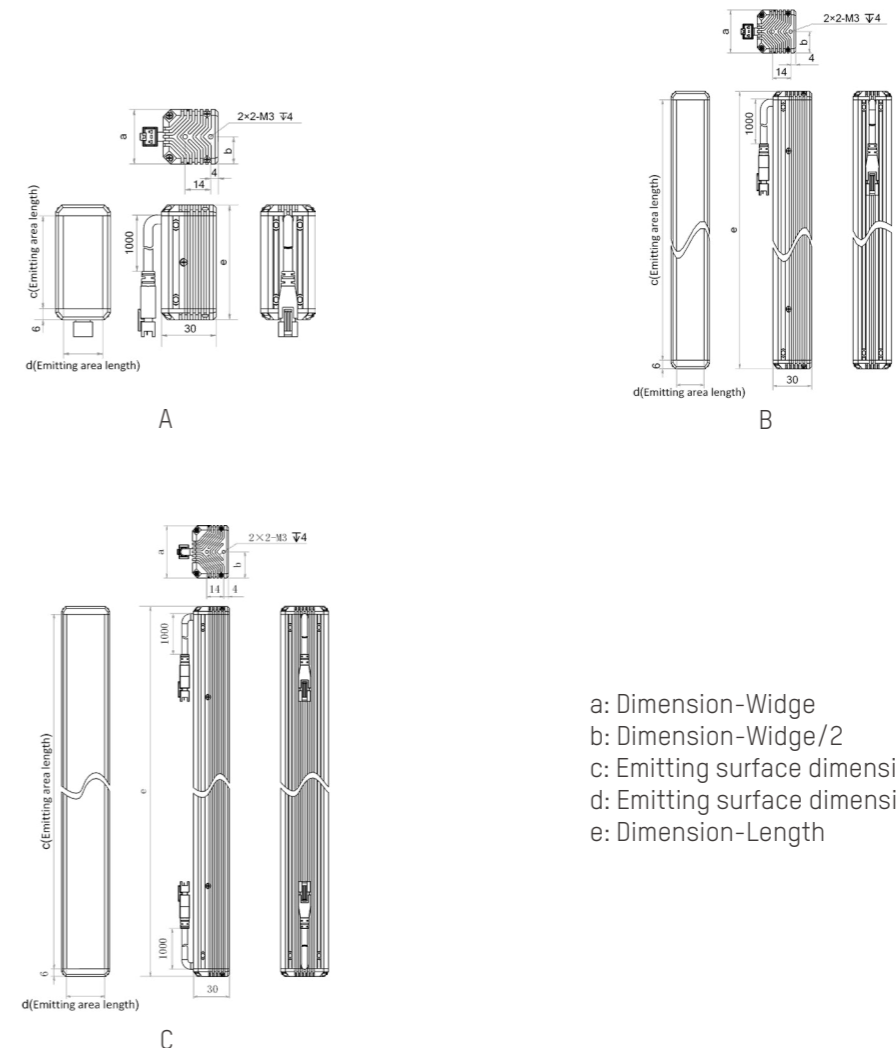


Specifications

Model	Dimension (Length*Widge*Hight)	Emitting surface dimensions(Length*Widge)	LED rows	Power Consumption	Best working distance	Connector type	Label
MV-LLDS-H-50-30-W	63 mm × 30 mm × 30 mm	51 mm × 21.6 mm	4	3.4 W	30-500 mm	SMR-03V-B	A
MV-LLDS-H-50-40-W	63 mm × 40 mm × 30 mm	51 mm × 31.6 mm	6	5.3 W	30-500 mm	SMR-03V-B	A
MV-LLDS-H-100-30-W	108 mm × 30 mm × 30 mm	96 mm × 21.6 mm	4	6.9 W	30-500 mm	SMR-03V-B	A
MV-LLDS-H-100-40-W	108 mm × 40 mm × 30 mm	96 mm × 31.6 mm	6	10.6 W	30-500 mm	SMR-03V-B	A
MV-LLDS-H-150-30-W	153 mm × 30 mm × 30 mm	141 mm × 21.6 mm	4	10.0 W	30-500 mm	SMR-03V-B	A
MV-LLDS-H-150-40-W	153 mm × 40 mm × 30 mm	141 mm × 31.6 mm	6	15.7 W	30-500 mm	SMR-03V-B	A
MV-LLDS-H-200-30-W	198 mm × 30 mm × 30 mm	186 mm × 21.6 mm	4	13.5 W	30-500 mm	SMR-03V-B	A
MV-LLDS-H-200-40-W	198 mm × 40 mm × 30 mm	186 mm × 31.6 mm	6	20.9 W	30-500 mm	SMR-03V-B	A
MV-LLDS-H-250-30-W	243 mm × 30 mm × 30 mm	231 mm × 21.6 mm	4	16.9 W	30-500 mm	SMR-03V-B	B
MV-LLDS-H-250-40-W	243 mm × 40 mm × 30 mm	231 mm × 31.6 mm	6	26.2 W	30-500 mm	SMR-03V-B	B
MV-LLDS-H-300-30-W	288 mm × 30 mm × 30 mm	276 mm × 21.6 mm	4	20.1 W	30-500 mm	SMR-03V-B	B
MV-LLDS-H-300-40-W	288 mm × 40 mm × 30 mm	276 mm × 31.6 mm	6	31.3 W	30-500 mm	SMR-03V-B	B
MV-LLDS-H-350-30-W	333 mm × 30 mm × 30 mm	321 mm × 21.6 mm	4	23.5 W	30-500 mm	SMR-03V-B	B
MV-LLDS-H-350-40-W	333 mm × 40 mm × 30 mm	321 mm × 31.6 mm	6	36.6 W	30-500 mm	SMR-03V-B	B
MV-LLDS-H-400-30-W	378 mm × 30 mm × 30 mm	366 mm × 21.6 mm	4	26.9 W	30-500 mm	SMR-03V-B	B
MV-LLDS-H-400-40-W	378 mm × 40 mm × 30 mm	366 mm × 31.6 mm	6	41.9 W	30-500 mm	SMR-03V-B	B
MV-LLDS-H-450-30-W	423 mm × 30 mm × 30 mm	411 mm × 21.6 mm	4	30.1 W	30-500 mm	SMR-03V-B	B
MV-LLDS-H-450-40-W	423 mm × 40 mm × 30 mm	411 mm × 31.6 mm	6	47.0 W	30-500 mm	SMR-03V-B	B
MV-LLDS-H-500-30-W	468 mm × 30 mm × 30 mm	456 mm × 21.6 mm	4	33.5 W	30-500 mm	SMR-03V-B	B
MV-LLDS-H-500-40-W	468 mm × 40 mm × 30 mm	456 mm × 31.6 mm	6	52.2 W	30-500 mm	SMR-03V-B	B
MV-LLDS-H-600-30-W	558 mm × 30 mm × 30 mm	546 mm × 21.6 mm	4	40.1 W	30-500 mm	SMR-03V-B	B
MV-LLDS-H-600-40-W	558 mm × 40 mm × 30 mm	546 mm × 31.6 mm	6	62.6 W	30-500 mm	SMR-03V-B	B

Model	Dimension (Length*Widge*Hight)	Emitting surface dimensions(Length*Widge)	LED rows	Power Consumption	Best working distance	Connector type	Label
MV-LLDS-H-700-30-W	648 mm × 30 mm × 30 mm	636 mm × 21.6 mm	4	47.0 W	30-500 mm	SMR-03V-B	B
MV-LLDS-H-700-40-W	648 mm × 40 mm × 30 mm	636 mm × 31.6 mm	6	73.2 W	30-500 mm	SMR-03V-B	B
MV-LLDS-H-800-30-W	738 mm × 30 mm × 30 mm	726 mm × 21.6 mm	4	53.6 W	30-500 mm	SMR-03V-B	B
MV-LLDS-H-800-40-W	738 mm × 40 mm × 30 mm	726 mm × 31.6 mm	6	70.9 W	30-500 mm	SMR-03V-B	B
MV-LLDS-H-900-30-W	828 mm × 30 mm × 30 mm	816 mm × 21.6 mm	4	60.2 W	30-500 mm	SMR-03V-B	B
MV-LLDS-H-900-40-W	828 mm × 40 mm × 30 mm	816 mm × 31.6 mm	6	93.9 W	30-500 mm	Dual-channel SMR-03V-B	B
MV-LLDS-H-1000-30-W	918 mm × 30 mm × 30 mm	906 mm × 21.6 mm	4	67.1 W	30-500 mm	SMR-03V-B	B
MV-LLDS-H-1000-40-W	918 mm × 40 mm × 30 mm	906 mm × 31.6 mm	6	104.5 W	30-500 mm	Dual-channel SMR-03V-B	B
MV-LLDS-H-1200-30-W	1098 mm × 30 mm × 30 mm	1086 mm × 21.6 mm	4	80.3 W	30-500 mm	Dual-channel SMR-03V-B	C
MV-LLDS-H-1200-40-W	1098 mm × 40 mm × 30 mm	1086 mm × 31.6 mm	6	116.4 W	30-500 mm	Dual-channel SMR-04V-B	C
MV-LLDS-H-1400-30-W	1278 mm × 30 mm × 30 mm	1266 mm × 21.6 mm	4	93.7 W	30-500 mm	Dual-channel SMR-05V-B	C
MV-LLDS-H-1400-40-W	1278 mm × 40 mm × 30 mm	1266 mm × 31.6 mm	6	116.5 W	30-500 mm	Dual-channel SMR-06V-B	C

Dimension



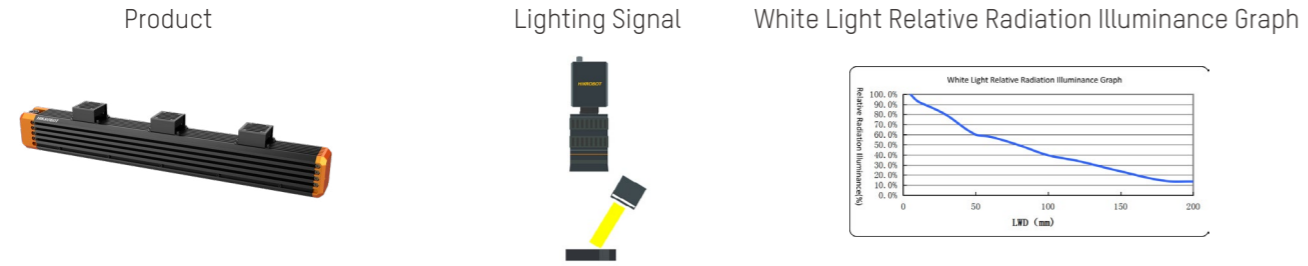
- a: Dimension-Widge
- b: Dimension-Widge/2
- c: Emitting surface dimensions-Length
- d: Emitting surface dimensions-Widge
- e: Dimension-Length

Unit:mm

■ Linescan-Type Lighting



MV-LTDS-H industry linescan-type lighting series adopts high brightness and high power LED, Center illuminance ≥ 1 million lux, combination of structural heat dissipation and fan heat dissipation, provide good heat dissipation and working life, flexible installation, efficient focusing. Extension liNE: the body does not have a line, and the powerline accessories with appropriate length are selected according to the demand. Best working distance: 10-200 mm

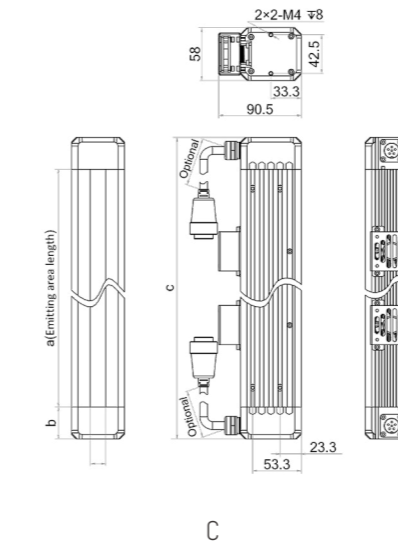
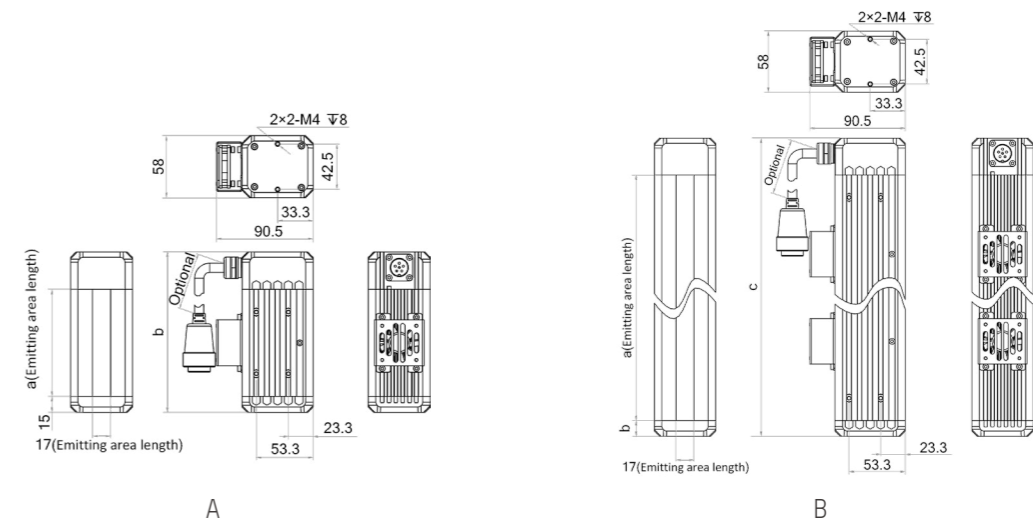


Specifications

Model	Dimension (Length*Widge*Hight)	Emitting surface dimensions(Length*Widge)	End cap size	Power Consumption	Weight	Connector type	Label
MV-LTDS-H-100-W	150 mm × 58 mm × 90.5 mm	100 mm × 17 mm	15 mm	42 W / 48 VDC	1.09 kg	19M-8H	A
MV-LTDS-H-200-W	250 mm × 58 mm × 90.5 mm	200 mm × 17 mm	15 mm	84 W / 48 VDC	1.6 kg	19M-8H	A
MV-LTDS-H-300-W	350 mm × 58 mm × 90.5 mm	300 mm × 17 mm	15 mm	126 W / 48 VDC	2.11 kg	19M-8H	B
MV-LTDS-H-400-W	450 mm × 58 mm × 90.5 mm	400 mm × 17 mm	15 mm	168 W / 48 VDC	2.62 kg	19M-8H	B
MV-LTDS-H-500-W	550 mm × 58 mm × 90.5 mm	500 mm × 17 mm	15 mm	210 W / 48 VDC	3.14 kg	19M-8H	B
MV-LTDS-H-600-W	650 mm × 58 mm × 90.5 mm	600 mm × 17 mm	15 mm	252 W / 48 VDC	3.65 kg	19M-8H	B
MV-LTDS-H-700-W	750 mm × 58 mm × 90.5 mm	700 mm × 17 mm	15 mm	294 W / 48 VDC	4.16 kg	19M-8H	B
MV-LTDS-H-800-W	850 mm × 58 mm × 90.5 mm	800 mm × 17 mm	15 mm	336 W / 48 VDC	4.68 kg	19M-8H	B
MV-LTDS-H-900-W	970 mm × 58 mm × 90.5 mm	900 mm × 17 mm	35 mm	378 W / 48 VDC	5.19 kg	19M-8H, dual channel	C
MV-LTDS-H-1000-W	1070 mm × 58 mm × 90.5 mm	1000 mm × 17 mm	35 mm	420 W / 48 VDC	5.71 kg	19M-8H, dual channel	C
MV-LTDS-H-1100-W	1170 mm × 58 mm × 90.5 mm	1100 mm × 17 mm	35 mm	462 W / 48 VDC	6.22 kg	19M-8H, dual channel	C
MV-LTDS-H-1200-W	1270 mm × 58 mm × 90.5 mm	1200 mm × 17 mm	35 mm	504 W / 48 VDC	6.73 kg	19M-8H, dual channel	C
MV-LTDS-H-1300-W	1370 mm × 58 mm × 90.5 mm	1300 mm × 17 mm	35 mm	546 W / 48 VDC	7.25 kg	19M-8H, dual channel	C
MV-LTDS-H-1400-W	1470 mm × 58 mm × 90.5 mm	1400 mm × 17 mm	35 mm	588 W / 48 VDC	7.76 kg	19M-8H, dual channel	C
MV-LTDS-H-1500-W	1570 mm × 58 mm × 90.5 mm	1500 mm × 17 mm	35 mm	630 W / 48 VDC	8.27 kg	19M-8H, dual channel	C

Notice:The above models must be used with MV-LE201 series light controller. Interfaces do not include connecting wires, requiring additional configuration.

Dimension



a: Emitting surface dimensions-Length
b: End cap size
c: Dimension-Length

Unit:mm

Accessories

Model	Description
MV-LW-H-001-1-19M8A	Cable, 19M-8A to 19M-8A, 1m length.
MV-LW-H-003-1-19M8A	Cable, 19M-8A to 19M-8A, 3m length.
MV-LW-H-005-1-19M8A	Cable, 19M-8A to 19M-8A, 5m length.
MV-LW-H-010-1-19M8A	Cable, 19M-8A to 19M-8A, 10m length.
MV-LW-H-015-1-19M8A	Cable, 19M-8A to 19M-8A, 15m length.

■ Dot-Type Lighting

Standard Dot-Type Lighting

MV-LDSS-H standard dot-type Lighting, adopts special light guide and highlight LED lamp bead. new shape and heat dissipation design, constant-current drive, ensure light source has more lasting stability and service life. Best working distance: 65~200 mm.



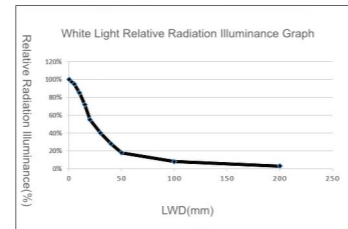
Product



Lighting Signal



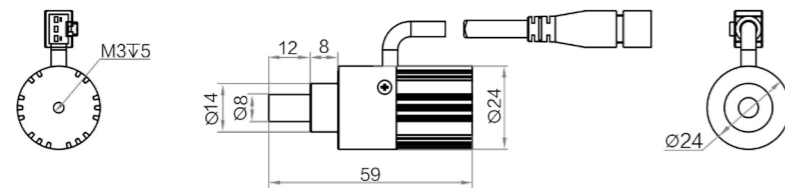
White Light Relative Radiation Illuminance Graph



Specifications

Model	Dimension	Lighting area dimensions	Power consumption	Input current	Color	Color temperature /Wave length	Center illuminance	Connector type
MV-LDSS-H-8-3-W	59 mm × Ø24 mm	Ø8 mm	2 W	680 mA	White	6000~7000K	> 20K lux@WD=100 mm	SMR-03V-B
MV-LDSS-H-8-3-R	59 mm × Ø24 mm	Ø8 mm	1.7 W	680 mA	Red	620~630 nm	> 7K lux@WD=100 mm	SMR-03V-B
MV-LDSS-H-8-3-B	59 mm × Ø24 mm	Ø8 mm	2.1 W	680 mA	Blue	465~475 nm	> 4K lux@WD=100 mm	SMR-03V-B
MV-LDSS-H-8-3-G	59 mm × Ø24 mm	Ø8 mm	2.1 W	680 mA	Green	515~530 nm	> 25K lux@WD=100 mm	SMR-03V-B
MV-LDSS-H-8-3-Y	59 mm × Ø24 mm	Ø8 mm	2 W	680 mA	Yellow	580~595 nm	> 20K lux@WD=100 mm	SMR-03V-B

Dimension



Unit:mm

Spotlight Dot-Type Lighting

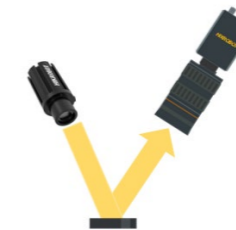


MV-LDFS-H spotlight dot-type lighting, & MV-LDFM-H high brightness dot-type lighting, through special optical lens structure design, cooperate with bright LED light beads to achieve high-spotlight, high-uniformity circular direct lighting effect. small and compact size, constant-current drive, suitable for lighting shooting in scenes with limited installation size and narrow space. Best working distance: 65~200 mm

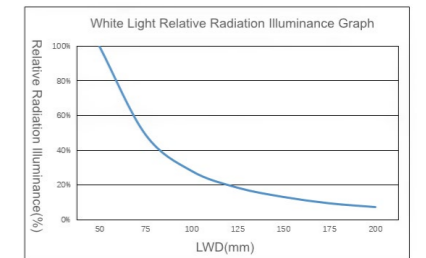
Product



Lighting Signal



White Light Relative Radiation Illuminance Graph

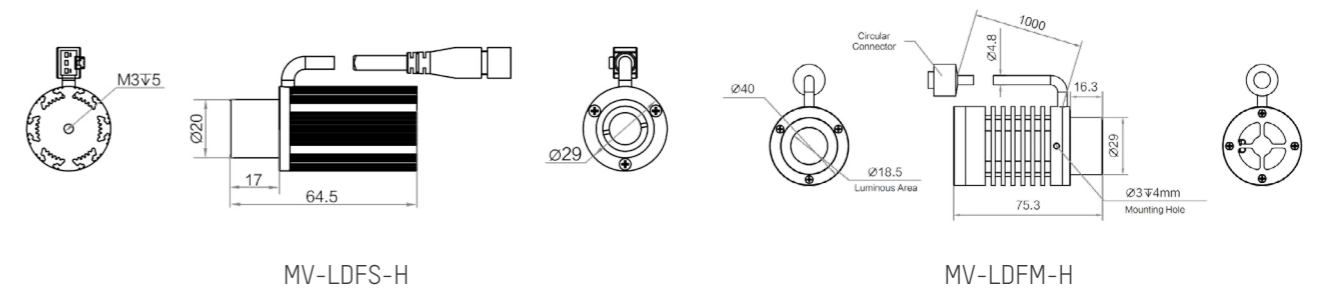


Specifications

Model	Dimension	Lighting area dimensions	Power consumption	Input current	Color	Color temperature / Wave length	Center illuminance	Connector type
MV-LDFS-H-20-6-W	64.5 mm × Ø29 mm	Ø20 mm	3.2 W	1100 mA	White	6000~7000K	≥ 140K lux@WD=100 mm	SMR-03V-B
MV-LDFM-H-20-10-W *	75.3 mm × Ø40 mm	Ø18.5 mm	9 W	3 A	White	6000~7000K	> 400K lux@WD=100 mm	12M-5A
MV-LDFM-H-20-5-IR850 *	75.3 mm × Ø40 mm	Ø18.5 mm	5 W	1.5 A	IR850	850nm	> 150m W/cm²@WD=100 mm	12M-5A

Notice: * will be released soon

Dimension



Unit:mm

Coaxial-type lighting



MV-LCDS-H standard coaxial lighting, provides uniform illumination in the same direction as the camera, high brightness coaxial lighting, to ensure clear imaging of objects.

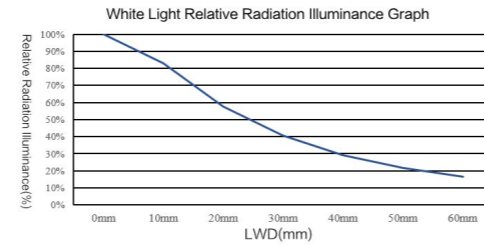
Product



Lighting Signal



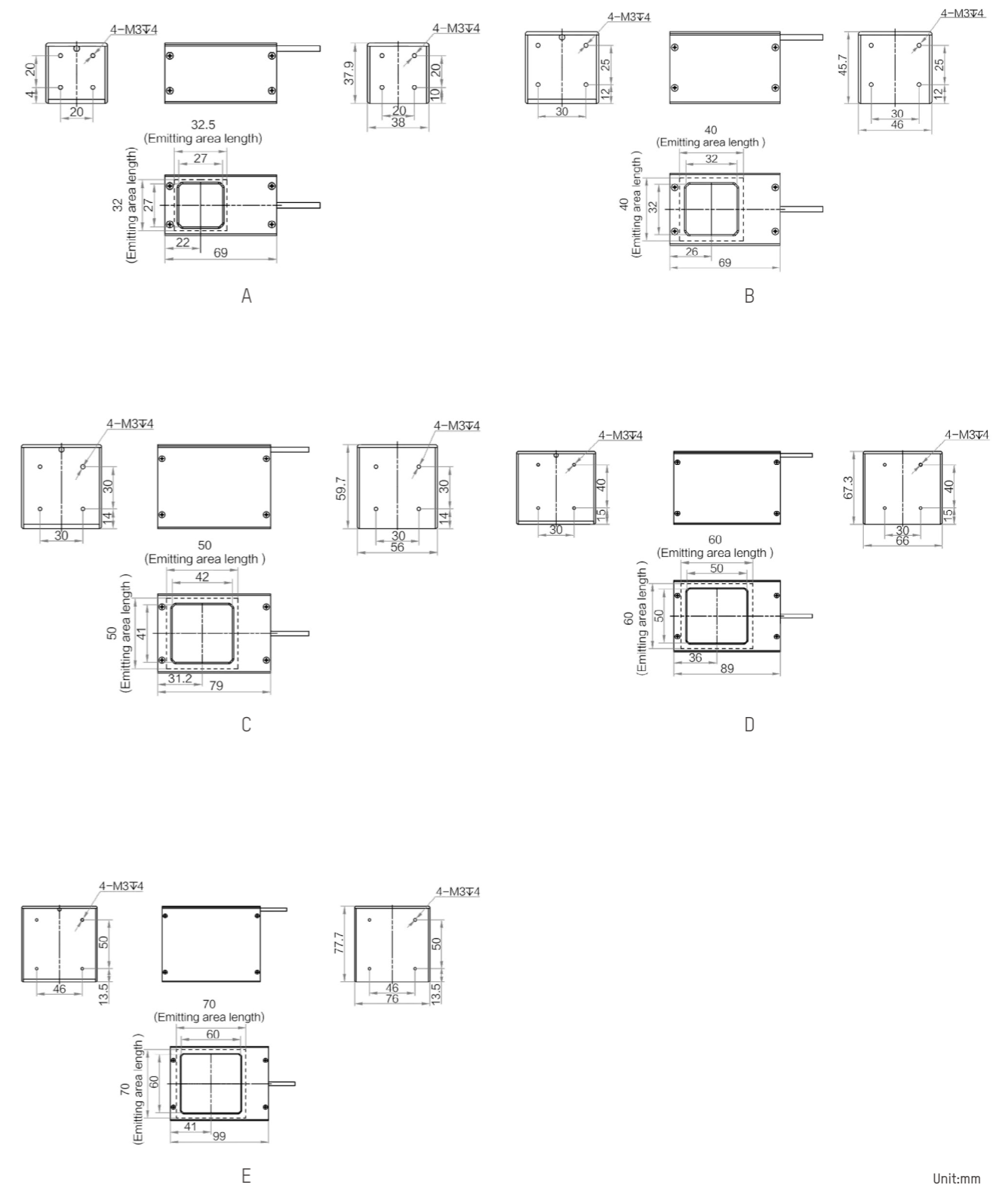
White Light Relative Radiation Illuminance Graph



Specifications

Model	Dimension	Lighting area dimensions	Power consumption	Color	Color temperature/ Wave length	Connector type	Label
MV-LCDS-H-30-30-W	69 mm × 37.9 mm × 38 mm	32.5 mm × 32 mm	3.3 W	White	6000-7000K	SMR-03V-B	A
MV-LCDS-H-30-30-B	69 mm × 37.9 mm × 38 mm	32.5 mm × 32 mm	3.6 W	Blue	465 nm	SMR-03V-B	A
MV-LCDS-H-30-30-R	69 mm × 37.9 mm × 38 mm	32.5 mm × 32 mm	2.2 W	Red	625 nm	SMR-03V-B	A
MV-LCDS-H-40-40-W	69 mm × 45.7 mm × 46 mm	40 mm × 40 mm	5.4 W	White	6000-7000K	SMR-03V-B	B
MV-LCDS-H-40-40-B	69 mm × 45.7 mm × 46 mm	40 mm × 40 mm	5.9 W	Blue	465 nm	SMR-03V-B	B
MV-LCDS-H-40-40-R	69 mm × 45.7 mm × 46 mm	40 mm × 40 mm	4.1 W	Red	625 nm	SMR-03V-B	B
MV-LCDS-H-50-50-W	79 mm × 59.7 mm × 56 mm	50 mm × 50 mm	5.5 W	White	6000-7000K	SMR-03V-B	C
MV-LCDS-H-50-50-B	79 mm × 59.7 mm × 56 mm	50 mm × 50 mm	7 W	Blue	465 nm	SMR-03V-B	C
MV-LCDS-H-50-50-R	79 mm × 59.7 mm × 56 mm	50 mm × 50 mm	4.7 W	Red	625 nm	SMR-03V-B	C
MV-LCDS-H-60-60-W	89 mm × 67.3 mm × 66 mm	60 mm × 60 mm	9.6 W	White	6000-7000K	SMR-03V-B	D
MV-LCDS-H-60-60-B	89 mm × 67.3 mm × 66 mm	60 mm × 60 mm	8.7 W	Blue	465 nm	SMR-03V-B	D
MV-LCDS-H-60-60-R	89 mm × 67.3 mm × 66 mm	60 mm × 60 mm	6.7 W	Red	625 nm	SMR-03V-B	D
MV-LCDS-H-70-70-W	99 mm × 77.7 mm × 76 mm	70 mm × 70 mm	10.8 W	White	6000-7000K	SMR-03V-B	E
MV-LCDS-H-70-70-IR850	99 mm × 77.7 mm × 76 mm	70 mm × 70 mm	12.6 W	IR850	850 nm	SMR-03V-B	E

Dimension



Unit:mm

Flat-type lighting

Standard Flat Lighting

MV-LBSS-H standard flat lighting, adopts high density array LED layout, provide high brightness, backplane lighting with large coverage. Excellent uniformity, a variety of dimensions are available.



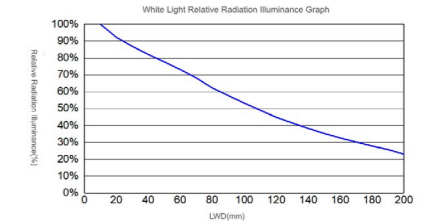
Product



Lighting Signal



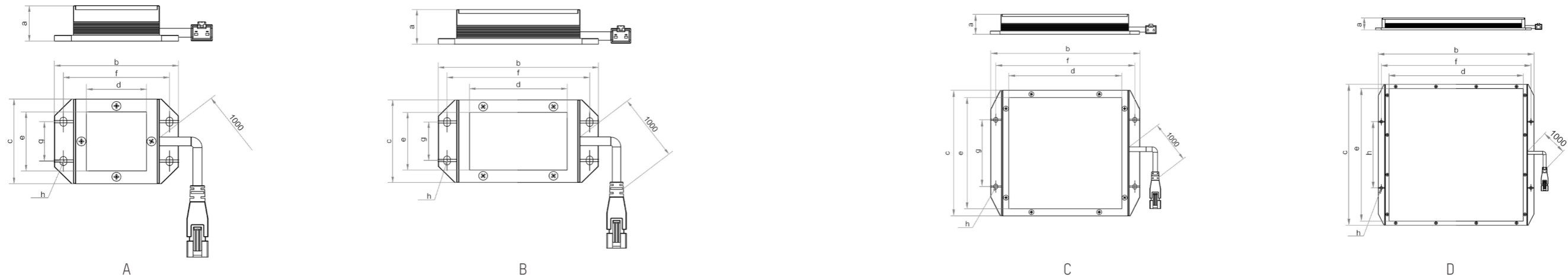
White Light Relative Radiation Illuminance Graph

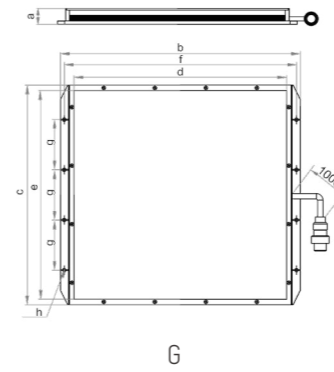
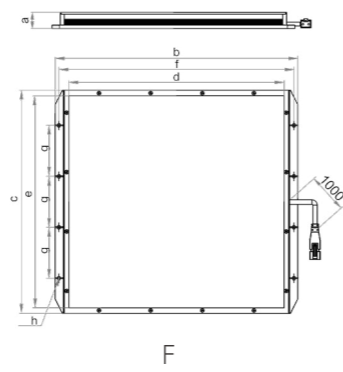
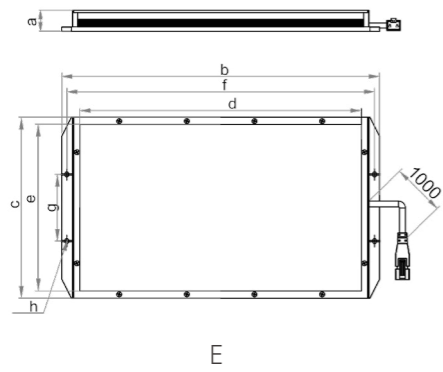


Specifications

Model	Dimension (Length*Widge*Hight)	Emitting surface dimensions(Length*Widge)	Mounting hole size	Mounting hole spacing (Length;Widge)	Power consumption	Color	Color temperature/ Wave length	Center illuminance	Connector type	Label
MV-LBSS-H-30-30-W	62 mm × 43 mm × 18 mm	30 mm × 30 mm	∅3.4 mm	53 mm;20 mm	2 W	White	6000-7000K	≥ 2700 lux@100 mm	SMR-03V-B	A
MV-LBSS-H-50-30-W	82 mm × 43 mm × 18 mm	50 mm × 30 mm	∅3.4 mm	73 mm;20 mm	3 W	White	6000-7000K	≥ 6000 lux@100 mm	SMR-03V-B	B
MV-LBSS-H-50-50-W	82 mm × 63.2 mm × 18 mm	50 mm × 50 mm	∅3.4 mm	73 mm;30 mm	4W	White	6000-7000K	≥ 10000 lux@100 mm	SMR-03V-B	B
MV-LBSS-H-80-80-W	112 mm × 93 mm × 18 mm	80 mm × 80 mm	∅3.4 mm	103 mm;50 mm	13 W	White	6000-7000K	≥ 20000 lux@100 mm	SMR-03V-B	B
MV-LBSS-H-100-100-W	132 mm × 113 mm × 18 mm	100 mm × 100 mm	∅3.4 mm	123 mm;60 mm	21 W	White	6000-7000K	≥ 40000 lux@100 mm	SMR-03V-B	C
MV-LBSS-H-120-120-W	152 mm × 133 mm × 18 mm	120 mm × 120 mm	∅3.4 mm	143 mm;60 mm	22 W	White	6000-7000K	≥ 31000 lux@100 mm	SMR-03V-B	C
MV-LBSS-H-150-100-W	182 mm × 113 mm × 18 mm	150 mm × 100 mm	∅3.4 mm	173 mm;60 mm	25 W	White	6000-7000K	≥ 40000 lux@100 mm	SMR-03V-B	C
MV-LBSS-H-150-150-W	182 mm × 163 mm × 18 mm	150 mm × 150 mm	∅3.4 mm	173 mm;60 mm	36 W	White	6000-7000K	≥ 60000 lux@100 mm	SMR-03V-B	C
MV-LBSS-H-200-200-W	232 mm × 213 mm × 18 mm	200 mm × 200 mm	∅3.4 mm	223 mm;100 mm	66 W	White	6000-7000K	≥ 80000 lux@100 mm	SMR-03V-B	D
MV-LBSS-H-250-150-W	282 mm × 163 mm × 19 mm	250 mm × 150 mm	∅3.4 mm	273 mm;60 mm	46 W	White	6000-7000K	≥ 60000 lux@100 mm	SMR-03V-B	E
MV-LBSS-H-250-250-W	282 mm × 263 mm × 19 mm	250 mm × 250 mm	∅3.4 mm	273 mm;60 mm	52 W	White	6000-7000K	≥ 50000 lux@100 mm	SMR-03V-B	F
MV-LBSS-H-300-300-W	338 mm × 315 mm × 21 mm	300 mm × 300 mm	∅4.4 mm	326 mm;80 mm	77 W	White	6000-7000K	≥ 60000 lux@100 mm	12M-2A	G
MV-LBSS-H-350-250-W	388 mm × 265 mm × 21 mm	350 mm × 250 mm	∅4.4 mm	376 mm;70 mm	77 W	White	6000-7000K	≥ 60000 lux@100 mm	12M-2A	G
MV-LBSS-H-400-300-W	438 mm × 315 mm × 21 mm	400 mm × 300 mm	∅4.4 mm	426 mm;80 mm	110 W	White	6000-7000K	≥ 60000 lux@100 mm	12M-2A	G

Dimension





- a: Dimension-Height
- b: Dimension-Length
- c: Dimension-Width
- d: Emitting surface dimensions-Length
- e: Emitting surface dimensions-Width
- f: Mounting hole spacing-Length
- g: Mounting hole spacing-Width
- h: Mounting hole size

Unit:mm

Flat Lighting With Hole



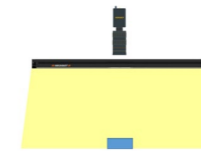
MV-LBES-H flat lighting with hole, Design opening (circular hole/square hole) on the basis of standard flat lighting, achieve high brightness, uniform forward lighting, a variety of dimensions are available.

Specifications

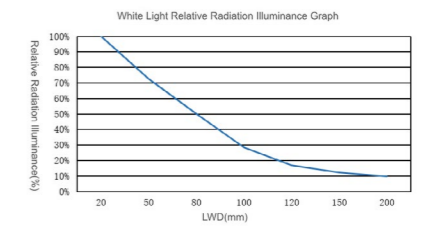
Product



Lighting Signal

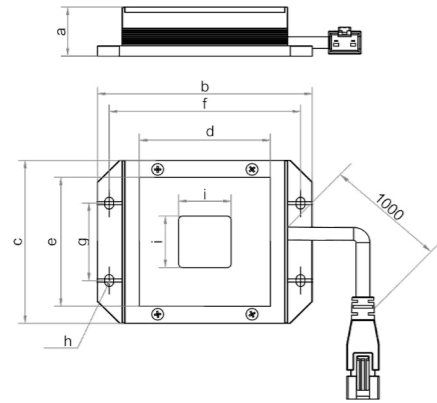


White Light Relative Radiation Illuminance Graph

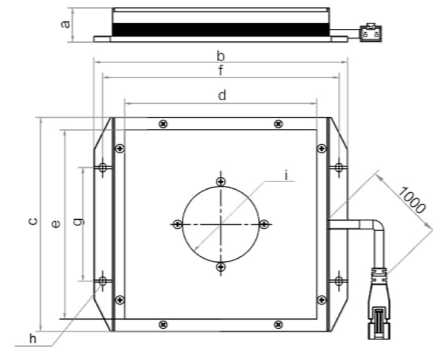


Model	Dimension (Length*Wide*Hight)	Emitting surface dimensions (Length*Wide)	Mounting hole size	Mounting hole spacing (Length;Wide)	Bore dimensions	Power consumption	Color	Color temperature/ Wave length	Center illuminance	Connector type	Label
MV-LBES-H-50-50-W	82 mm × 63.2 mm × 19 mm	50 mm × 50 mm	∅3.4 mm	73 mm;30 mm	20 mm	2 W	White	6000-7000K	≥ 1000 lux@200 mm	SMR-03V-B	A
MV-LBES-H-100-100-W	132 mm × 113 mm × 18 mm	100 mm × 100 mm	∅3.4 mm	123 mm;60 mm	∅40 mm	11 W	White	6000-7000K	≥ 7000 lux@200 mm	SMR-03V-B	B
MV-LBES-H-120-120-W	152 mm × 133 mm × 18 mm	120 mm × 120 mm	∅3.4 mm	143 mm;60 mm	∅40 mm	16 W	White	6000-7000K	≥ 9200 lux@200 mm	SMR-03V-B	B
MV-LBES-H-150-150-W	182 mm × 163 mm × 18 mm	150 mm × 150 mm	∅3.4 mm	173 mm;60 mm	∅45 mm	25 W	White	6000-7000K	≥ 14000 lux@200 mm	SMR-03V-B	B
MV-LBES-H-200-200-W	232 mm × 213 mm × 18 mm	200 mm × 200 mm	∅3.4 mm	223 mm;100 mm	∅45 mm	48 W	White	6000-7000K	≥ 27000 lux@200 mm	SMR-03V-B	C
MV-LBES-H-250-150-W	282 mm × 163 mm × 19 mm	250 mm × 150 mm	∅3.4 mm	273 mm;60 mm	∅50 mm	41 W	White	6000-7000K	≥ 22000 lux@200 mm	SMR-03V-B	D
MV-LBES-H-250-200-W	282 mm × 213 mm × 19 mm	250 mm × 200 mm	∅3.4 mm	273 mm;50 mm	∅60 mm	53 W	White	6000-7000K	≥ 25000 lux@200 mm	SMR-03V-B	E
MV-LBES-H-250-250-W	282 mm × 263 mm × 19 mm	250 mm × 250 mm	∅3.4 mm	273 mm;60 mm	∅50 mm	59 W	White	6000-7000K	≥ 28000 lux@200 mm	SMR-03V-B	E
MV-LBES-H-300-200-W	332 mm × 213 mm × 19 mm	300 mm × 200 mm	∅3.4 mm	323 mm;50 mm	∅60 mm	54 W	White	6000-7000K	≥ 27000 lux@200 mm	SMR-03V-B	E
MV-LBES-H-300-300-W	338 mm × 315 mm × 21 mm	300 mm × 300 mm	∅4.4 mm	326 mm;80 mm	80 mm	74 W	White	6000-7000K	≥ 30000 lux@200 mm	12M-2A	F
MV-LBES-H-400-300-W	438 mm × 315 mm × 21 mm	400 mm × 300 mm	∅4.4 mm	426 mm;80 mm	∅50 mm	83 W	White	6000-7000K	≥ 30000 lux@200 mm	12M-2A	G
MV-LBES-H-450-320-W	488 mm × 335 mm × 21 mm	450 mm × 320 mm	∅4.4 mm	476 mm;80 mm	∅70 mm	198 W	White	6000-7000K	≥ 16000 lux@600 mm	Dual-channel 19M-2A	H
MV-LBES-H-600-400-W	676 mm × 430 mm × 25 mm	600 mm × 400 mm	∅4.4 mm	656 mm;100 mm	∅50 mm	174 W	White	6000-7000K	≥ 13000 lux@600 mm	Dual-channel 19M-2A	I
MV-LBES-H-620-620-W	696 mm × 650 mm × 25 mm	620 mm × 620 mm	∅4.4 mm	676 mm;100 mm	∅50 mm	267 W	White	6000-7000K	≥ 18000 lux@600 mm	Dual-channel 19M-2A	J

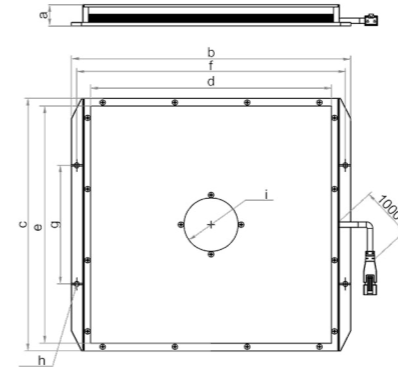
Dimension



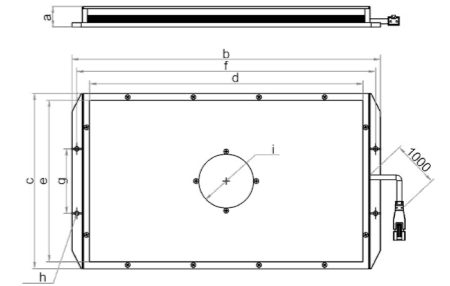
A



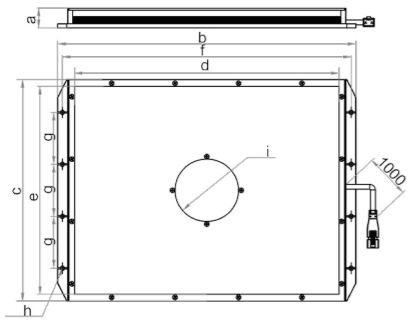
B



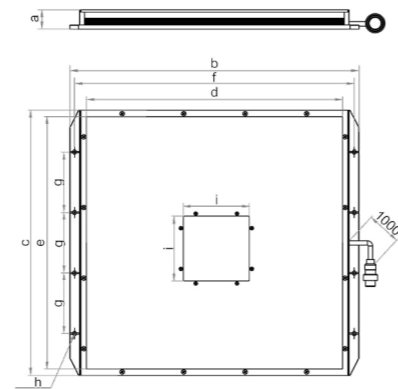
C



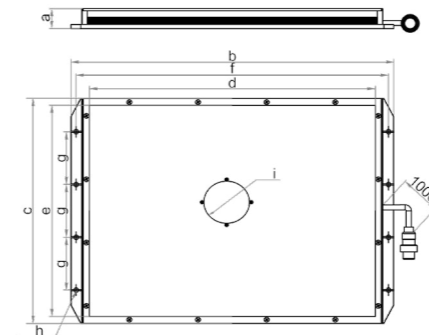
D



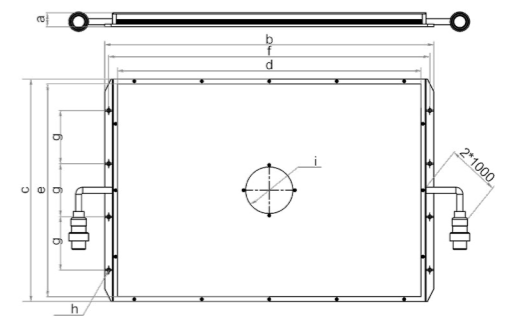
E



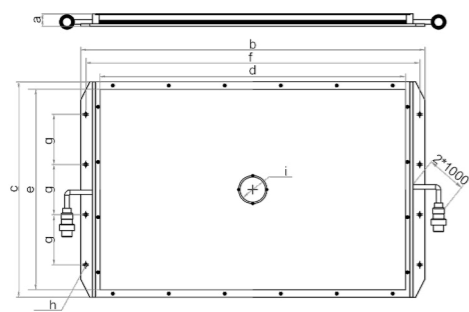
F



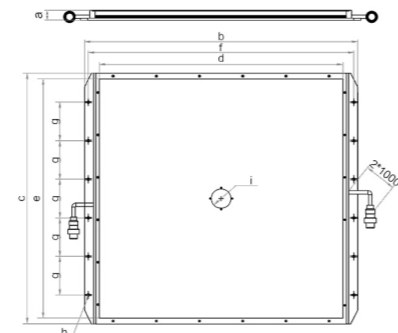
G



H



I



J

- a: Dimension-Height
- b: Dimension-Length
- c: Dimension-Width
- d: Emitting surface dimensions-Length
- e: Emitting surface dimensions-Width
- f: Mounting hole spacing-Length
- g: Mounting hole spacing-Width
- h: Mounting hole size
- i: Bore dimensions

Unit:mm